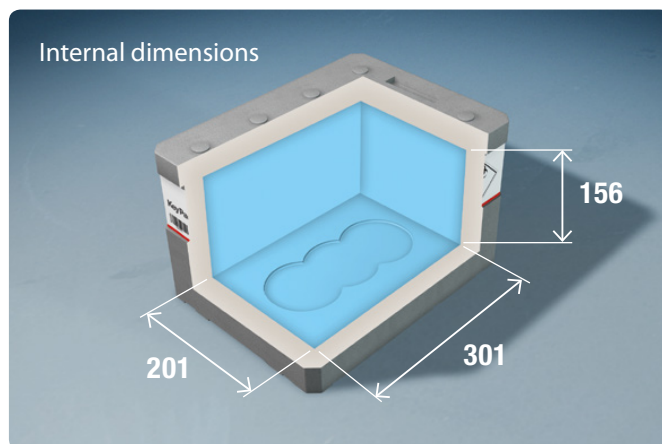
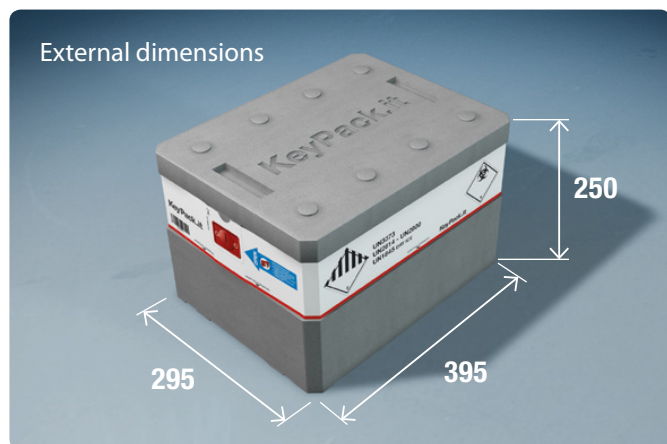
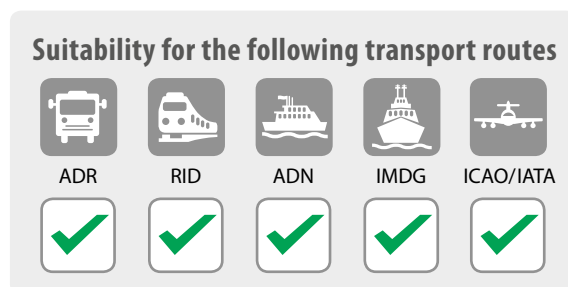


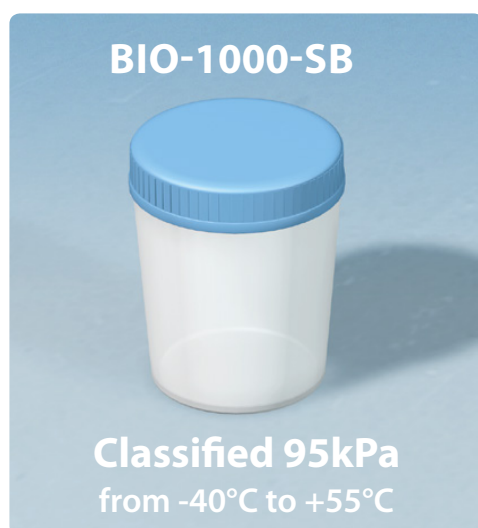
TECHNICAL SPECIFICATIONS



EXTERNAL DIMENSIONS	295 x 395 x h250 mm
INTERNAL DIMENSIONS	201 x 301 x h156 mm
WALLS THICKNESS	47 mm
CONTENT CAPACITY	9,4 lt
WEIGHT	0,430 kg
MATERIAL DENSITY	22 gr/lt
VOLUMETRIC WEIGHT	5,82 kg
BASE MATERIAL	graphite enhanced EPS
RECYCLE	100%



BARATTOLO PER IMBALLAGGIO COMBINATO



The can is suitable for the transport of UN3373, biological material, category B.

Transport of UN2814-UN2900, infectious substances, category A.

EXTERNAL DIMENSIONS	Ø 125 x h 157 mm
INTERNAL DIMENSIONS	Ø 100 x h 149 mm
CAPACITY	0,950 lt
DEFINITION	Reusable secondary packaging
WEIGHT	0,410 kg