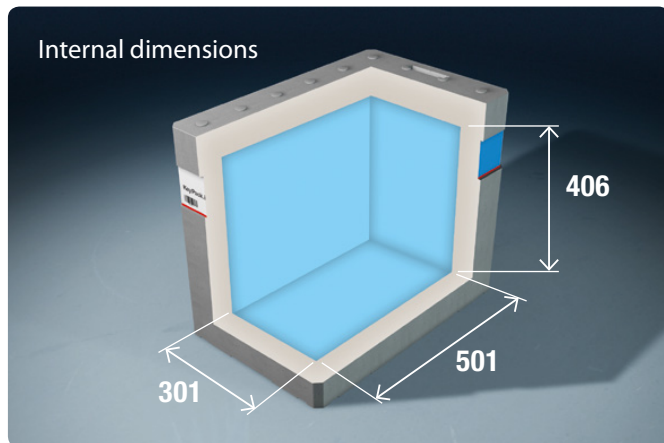
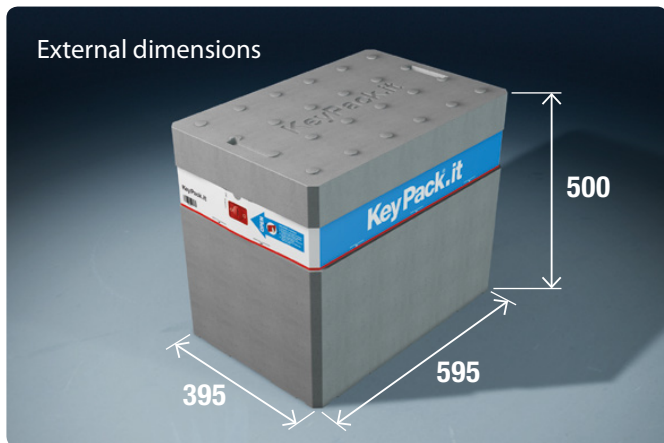
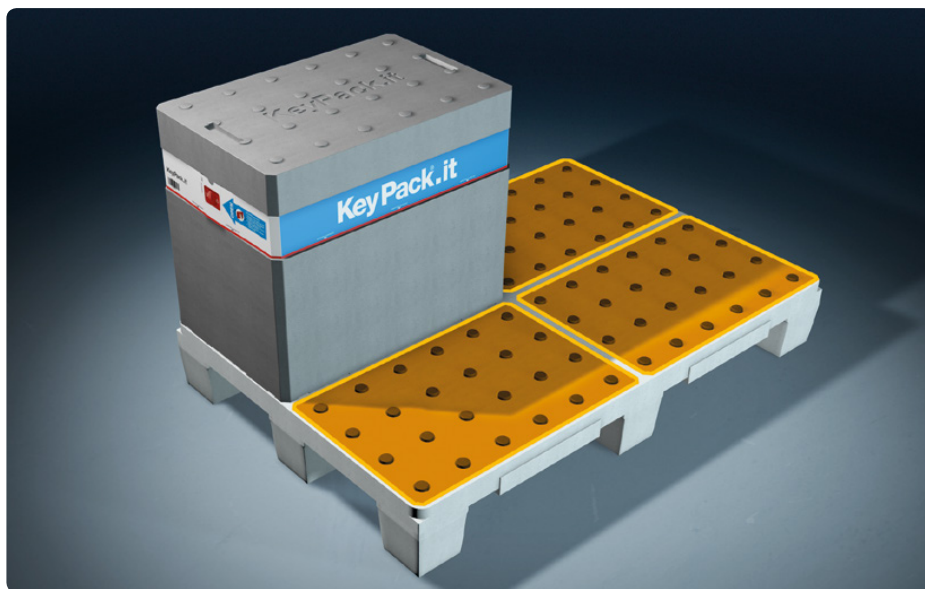


■ TECHNICAL SPECIFICATIONS



EXTERNAL DIMENSIONS	595 x 395 x h500 mm
INTERNAL DIMENSIONS	501 x 301 x h406 mm
WALLS THICKNESS	47 mm
CONTENT CAPACITY	61 lt
WEIGHT	1,240 kg
MATERIAL DENSITY	22 gr/lt
BASE MATERIAL	graphite enhanced EPS
RECYCLE	100%

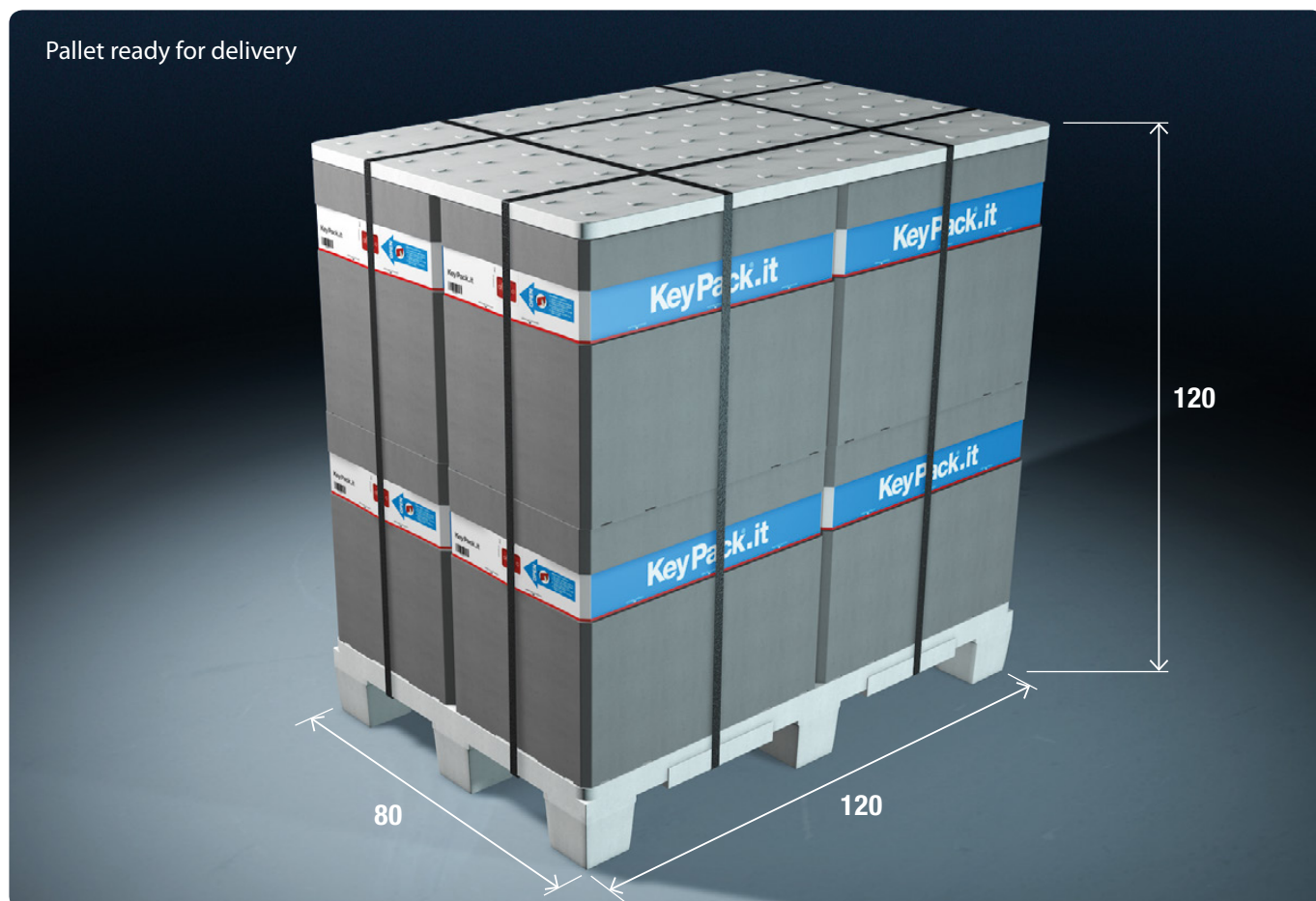
■ MODULARITY



Assembled container positioning on eps pallet.

Container modularity allows neat and precise piling on pallet.

■ PALLET ASSEMBLY



PALLET DETAILS

NUMBER OF BOXES	8 including body and lid
WEIGHT	12 kg
DIMENSIONS	120 x 80 x h120 cm

Pallets can be either in **EPS** or, upon request, certified **fumigated wood**.

Discover all exclusive advantages of the whole **KeyPack®system** on our website www.keypack.it