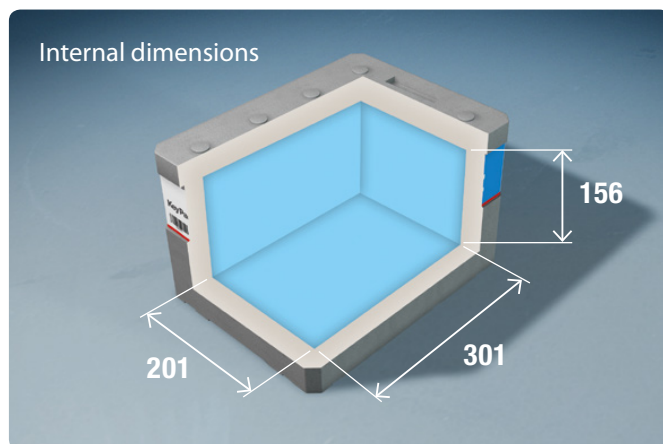
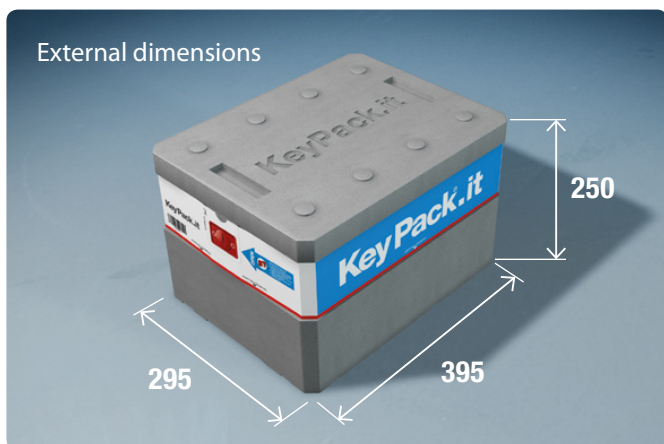
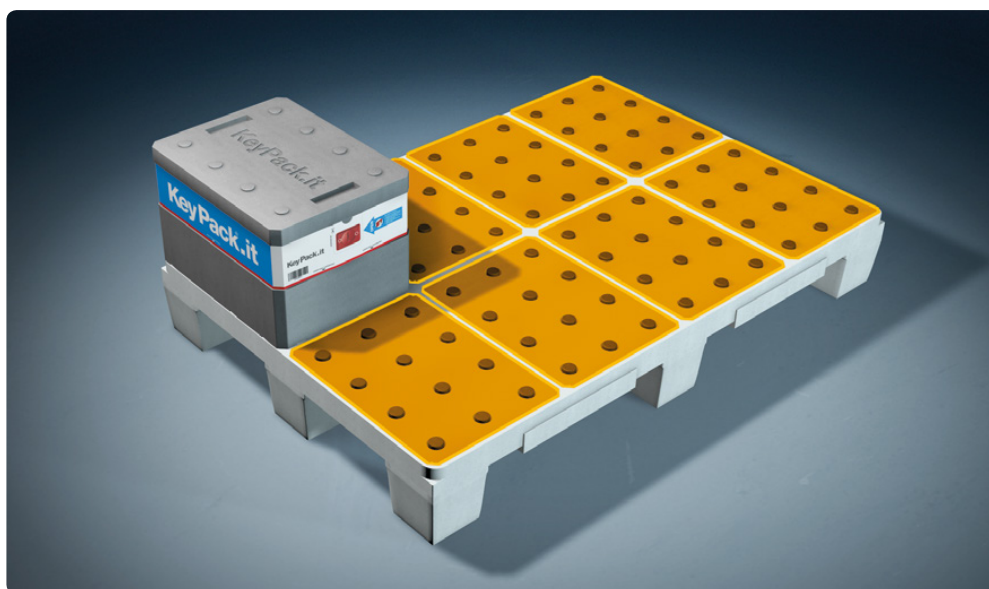


■ TECHNICAL SPECIFICATIONS



EXTERNAL DIMENSIONS	295 x 395 x h250 mm
INTERNAL DIMENSIONS	201 x 301 x h156 mm
WALLS THICKNESS	47 mm
CONTENT CAPACITY	9,4 lt
WEIGHT	0,430 kg
MATERIAL DENSITY	22 gr/lt
BASE MATERIAL	graphite enhanced EPS
RECYCLE	100%

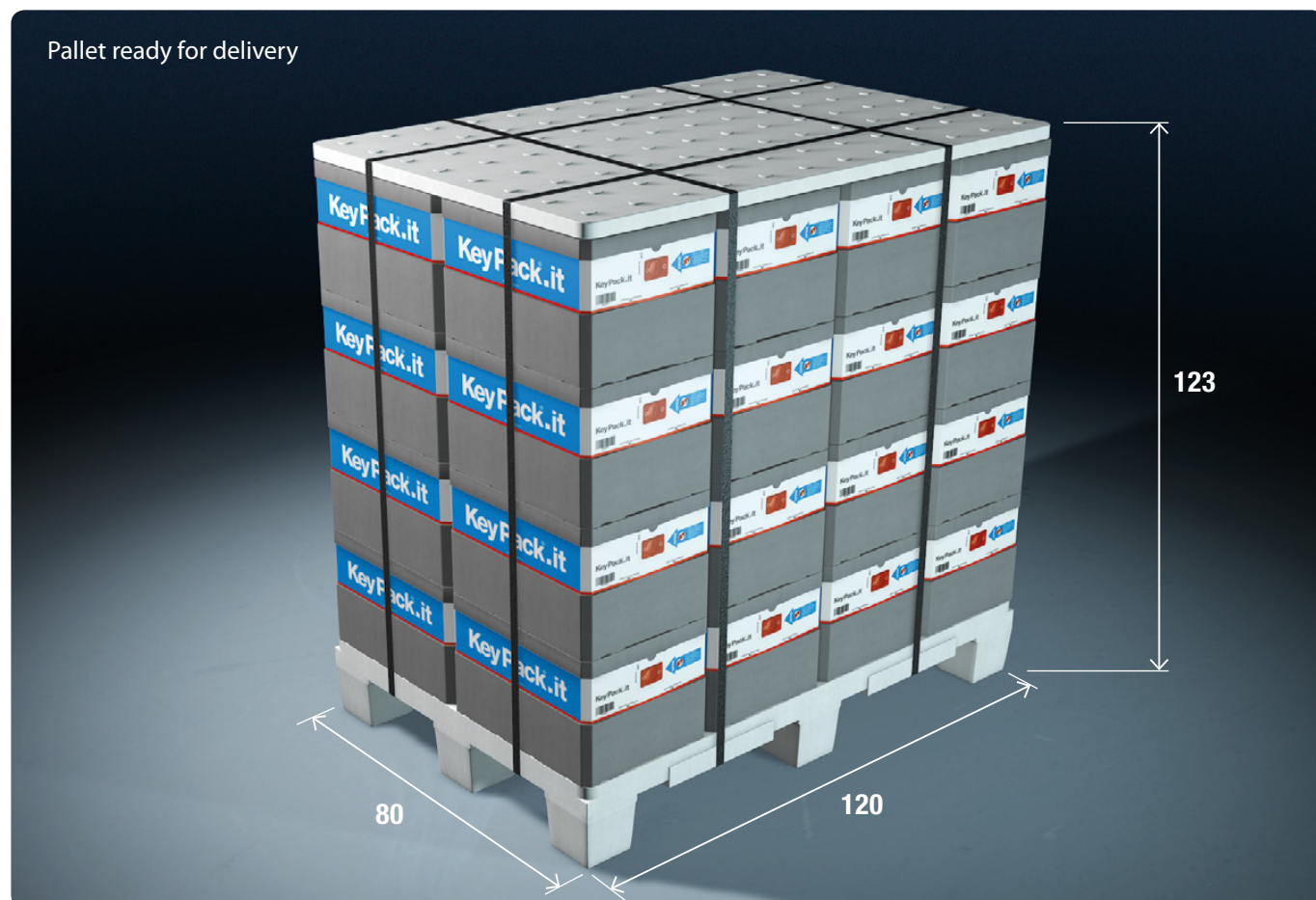
■ MODULARITY



Assembled container positioning on eps pallet.

Container modularity allows neat and precise piling on pallet.

■ PALLET ASSEMBLY



PALLET DETAILS

NUMBER OF BOXES	32 including body and lid
WEIGHT	15 kg
DIMENSIONS	120 x 80 x h123 cm

Pallets can be either in **EPS** or, upon request, certified **fumigated wood**.

Discover all exclusive advantages of the whole **KeyPack® system** on our website www.keypack.it